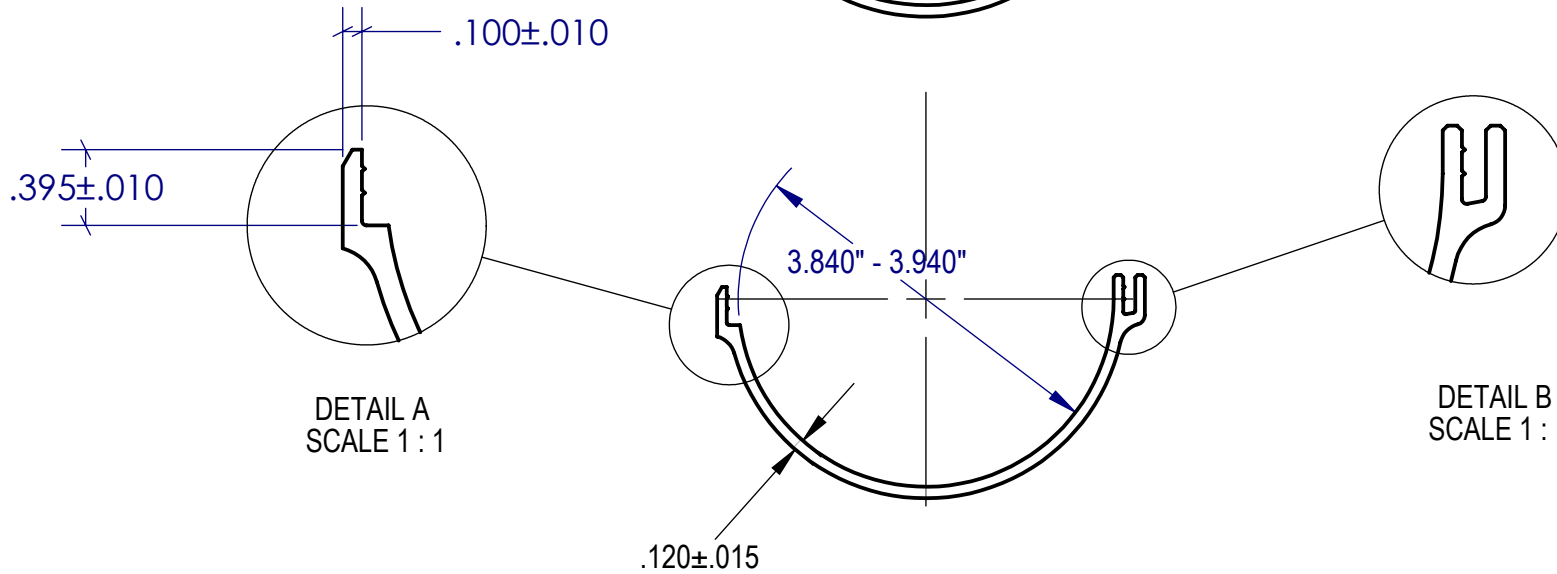
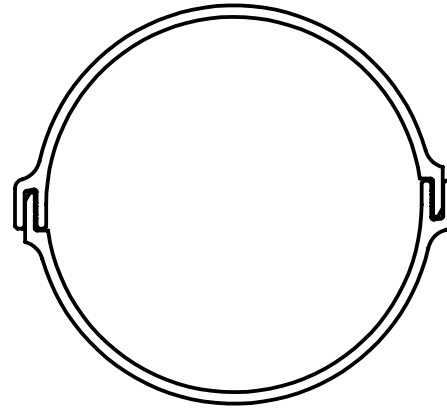


THIS DRAWING SHOWS THE DESIGN OF OUR CUSTOMER. OHIO STEEL INDUSTRIES DOES NOT GUARANTEE THE PART DESIGN, FIT, FUNCTION AND PERFORMANCE. THE DESIGN, FUNCTION, TESTING AND FINAL APPROVAL IS OUR CUSTOMERS RESPONSIBILITY.

ZONE		REV.	REVISIONS		DATE	APPROVED
			DESCRIPTION			



DETAIL A
SCALE 1 : 1

DETAIL B
SCALE 1 : 1

NOTE:
1. WALL THICKNESS (.120) EXCEPT WHERE NOTED.

PROPRIETARY AND CONFIDENTIAL
THE INFORMATION CONTAINED IN THIS DRAWING IS THE SOLE PROPERTY OF OHIO STEEL INDUSTRY. ANY REPRODUCTION IN PART OR AS A WHOLE WITHOUT THE WRITTEN PERMISSION OF PLASTICS IS PROHIBITED.

UNLESS OTHERWISE SPECIFIED:		NAME	DATE
DIMENSIONS ARE IN INCHES TOLERANCES:	DRAWN	MAZ	8/13/09
UNLESS NOTED, STANDARD TOLERANCES FOR CUSTOM PLASTIC PROFILE EXTRUSIONS WILL APPLY	CHECKED		
	ENG APPR.		
	MFG APPR.		
	Q.A.		
	COMMENTS:		
MATERIAL			
FINISH			
DO NOT SCALE DRAWING			

OSI PLASTICS <i>a Division of</i>		OHIO STEEL INDUSTRIES		2575 FERRIS ROAD COLUMBUS, OHIO 43224 P - 614.471.4800 F - 614.471.1190
TITLE: 4" SPLIT DUCT OHIO STEEL INDUSTRIES				
SIZE A	DWG. NO. 4 SPLIT DUCT	REV NC		
SCALE: 1:8	WEIGHT	SHEET 1 OF 1		