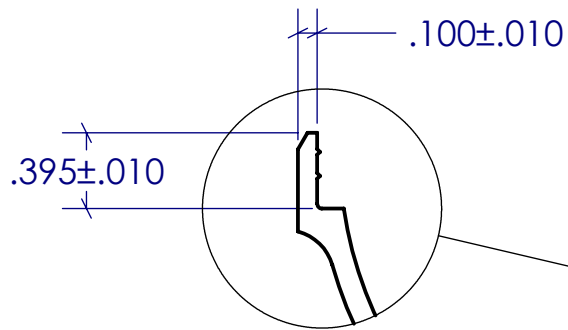
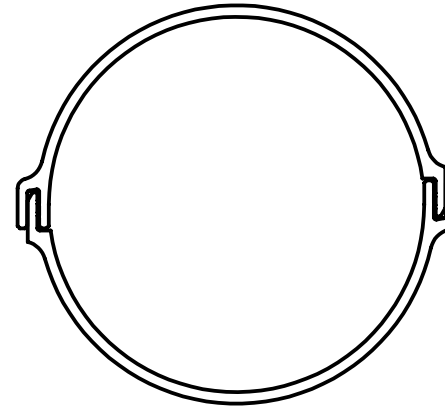
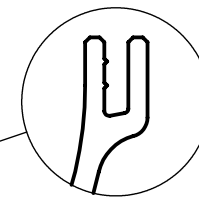
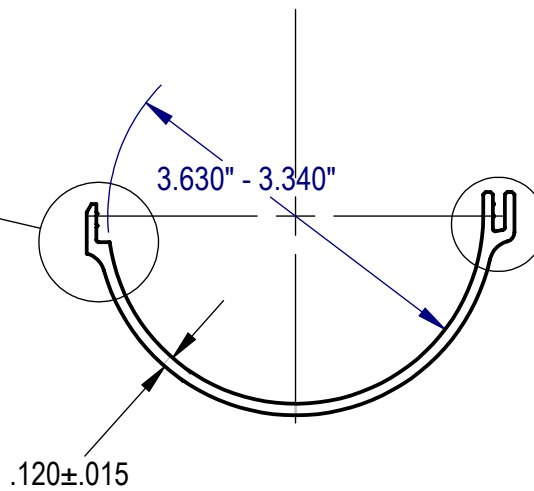


THIS DRAWING SHOWS THE DESIGN OF OUR CUSTOMER. OHIO STEEL INDUSTRIES DOES NOT GUARANTEE THE PART DESIGN, FIT, FUNCTION AND PERFORMANCE. THE DESIGN, FUNCTION, TESTING AND FINAL APPROVAL IS OUR CUSTOMERS RESPONSIBILITY.

ZONE		REV.	REVISIONS		DATE	APPROVED
			DESCRIPTION			



DETAIL A
SCALE 1 : 1



DETAIL B
SCALE 1 : 1

NOTE:
1. WALL THICKNESS (.120) EXCEPT WHERE NOTED.

PROPRIETARY AND CONFIDENTIAL
THE INFORMATION CONTAINED IN THIS DRAWING IS THE SOLE PROPERTY OF OHIO STEEL INDUSTRY. ANY REPRODUCTION IN PART OR AS A WHOLE WITHOUT THE WRITTEN PERMISSION OF PLASTICS IS PROHIBITED.

UNLESS OTHERWISE SPECIFIED:		NAME	DATE	OSI PLASTICS <i>a Division of</i> OHIO STEEL INDUSTRIES	2575 FERRIS ROAD COLUMBUS, OHIO 43224 P - 614.471.4800 F - 614.471.1190	
DIMENSIONS ARE IN INCHES TOLERANCES:		DRAWN	MAZ 8/13/09		TITLE:	
UNLESS NOTED, STANDARD TOLERANCES FOR CUSTOM PLASTIC PROFILE EXTRUSIONS WILL APPLY		CHECKED		3-1/2" SPLIT DUCT OHIO STEEL INDUSTRIES		
MATERIAL		ENG APPR.				
FINISH		MFG APPR.				
DO NOT SCALE DRAWING		Q.A.				
		COMMENTS:		SIZE	DWG. NO.	REV
				A	3.5 SPLIT DUCT	NC
				SCALE: 1:8	WEIGHT	SHEET 1 OF 1